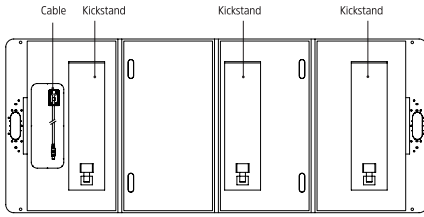


Energizer Solar Sunpack 200 Portable Solar Panel

User Manual

What's in the Box



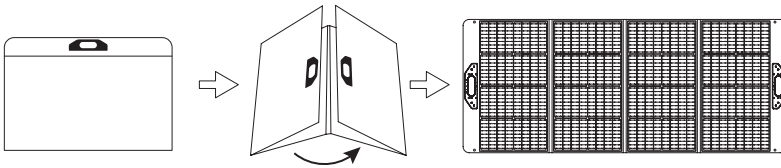
Solar Panel



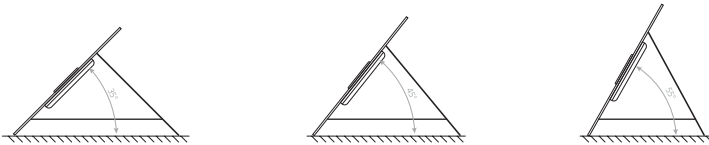
User Guide

How to Use

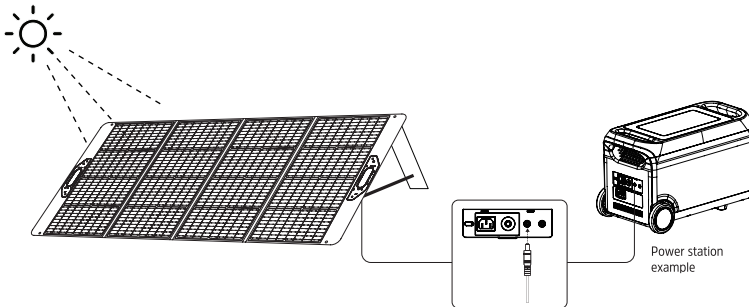
Unfold



Adjust the kickstand



Connect to power station



Note: Whether connected in series or parallel, make sure the total voltage of solar panels is under the power station's input voltage limit.

Technical Details

Peak Power	200W
Solar Cell Lamination	ETFE
Cell Efficiency	Up to 23.4%
Voltage at Max Power [Vmp]	20V
Current at Max Power [Imp]	11A
Open Circuit Voltage [Voc]	23.4V
Short Circuit Current [Isc]	14.64A
Operating Temperature	14°F ~ 149°F / -10°C ~ 65°C
Dimensions W x H [unfolded]	72.3" x 30.1" inch / 1837 x 765mm
Dimensions W x H [folded]	19.6" x 30.1" inch / 500 x 765mm
Weight	18.47lbs / 8.28kg
Certifications	FCC, CE, UKCA, PSE, RoHS
Warranty	2 Years

Safety Tips



Don't drop



Don't soak



Don't bend



Don't cover in shade



Don't scratch

- Do not bend the solar panel.
- Do not soak the solar panel in water or any other liquid.
- Do not use or store the solar panel near a fire or a heater.
- Do not scratch the solar panel with sharp objects.
- Do not disassemble the solar panel by yourself.
- Do not put corrosive substances on the solar panel.
- Ensure shade from trees, buildings, and any other obstructions do not block sunlight while using the panels.
- Do not use this product as a children's toy.
- Please note that the solar panel may be damaged if dropped or impacted.
- During recharging, keep your portable power station away from heat and direct sunlight to extend its life span.

FAQ's

What factors may affect the solar conversion rate?

1. The weather conditions.
2. The working environment temperature.
3. The length of the solar panels
4. Angle the solar panels towards the sun.

How to decide on the number of panels required to recharge your device?

1. The output power of the solar panels should fit the recommended voltage.
2. The maximum open circuit voltage is not able to exceed the maximum input voltage of the power station.
3. The gross output current of the solar panels should be between the recommended working voltage.

Note: When using multiple solar panels in series or parallel, please make sure that the accumulated maximum voltage and current of the solar panels does not exceed in the maximum voltage and current of the power station.

Is the solar panel waterproof?

In order to maximize the lifespan of the solar panel, please try not to get it wet or soak the solar panel into water.

FC CE UK  RoHs

Energizer
SOLAR

North America
888 Prospect Street, Suite 200
La Jolla California 92037
+1 424 254 5344

Europe
The Black Church, St Mary's Place
Dublin D07 P4AX, Ireland
+353 1 254 8222

Australia
Level 35, 477 Collins St, Melbourne
Victoria 3000, Australia
+61 1300 757 827

 energizersolar.com

© 2023 Energizer. Energizer and certain graphic designs are trademarks of Energizer Brands, LLC and related subsidiaries and are used under license by 8 Star Energy Pty Ltd. All other brand names are trademarks of their respective owners. Neither 8 Star Energy Pty Ltd nor Energizer Brands is affiliated with the respective owners of their trademarks.